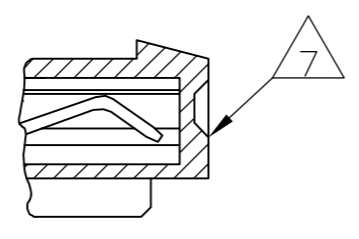
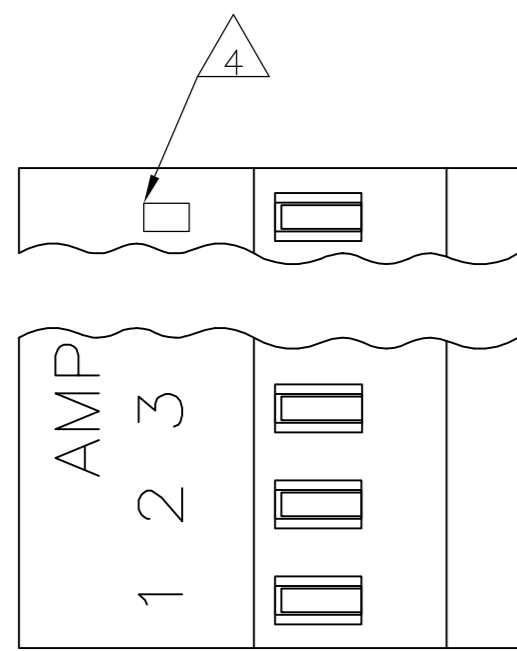
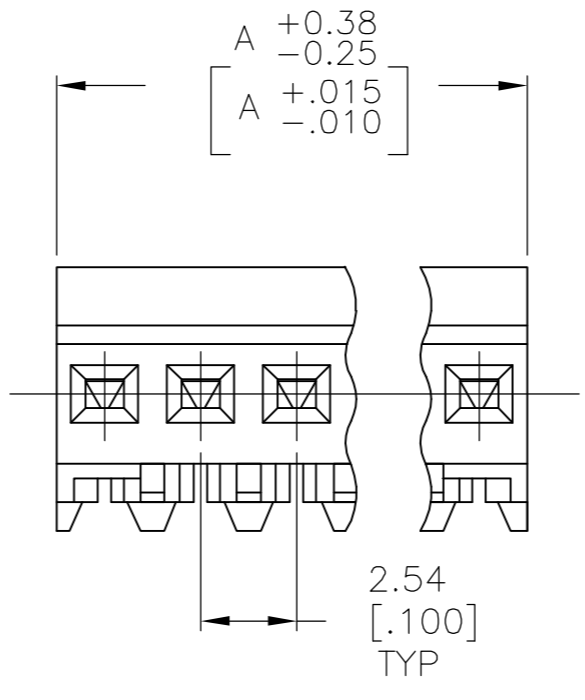
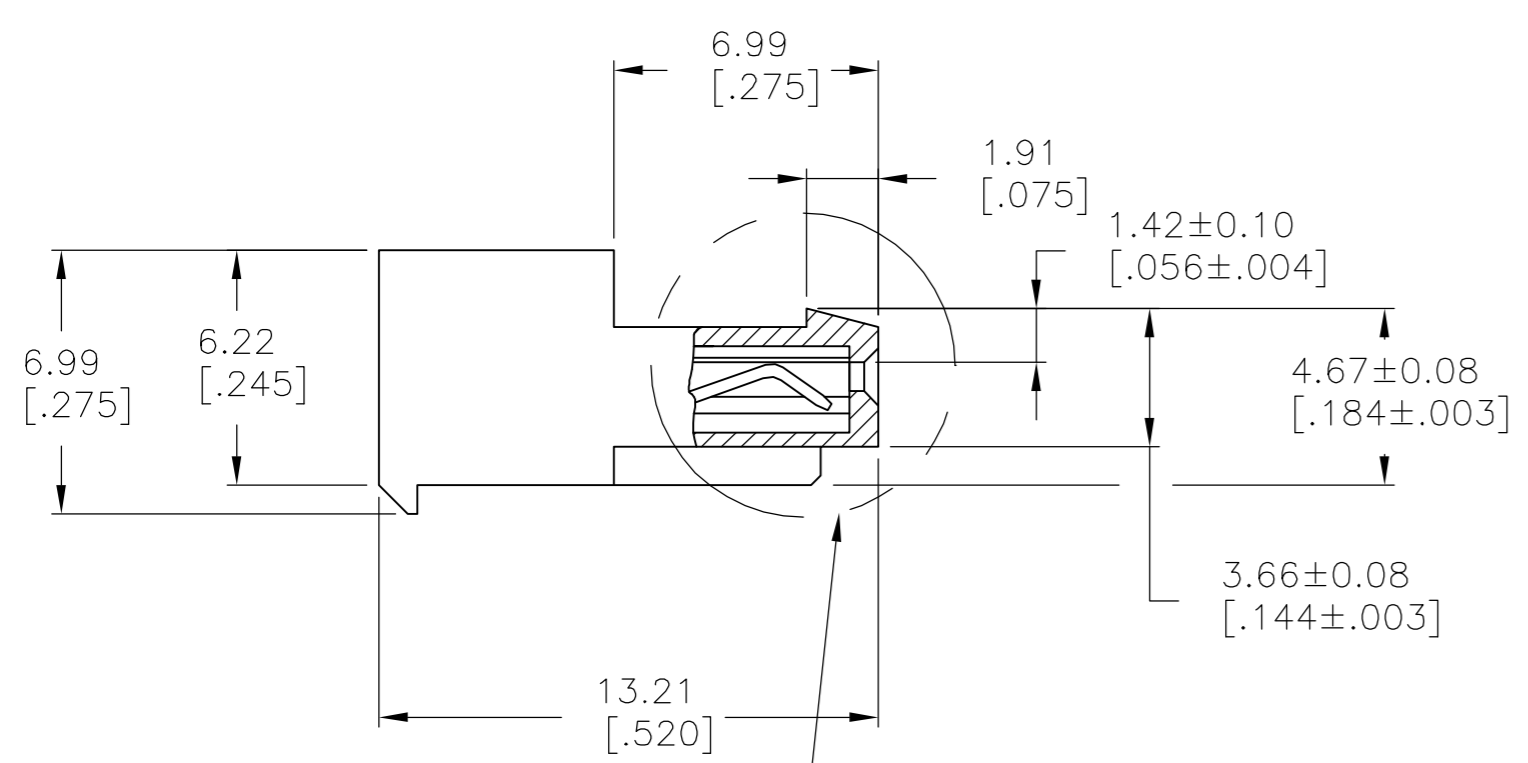


THIS DRAWING IS UNPUBLISHED. RELEASED FOR PUBLICATION
 © COPYRIGHT BY TYCO ELECTRONICS CORPORATION. ALL RIGHTS RESERVED.

LOC		DIST		REVISIONS			
P	LTR	DESCRIPTION	DATE	DWN	APVD		
B		REVISED PER ECO-07-003755	28FEB07	KW	DB		



DETAIL A



SEE DETAIL A FOR CLOSED CIRCUIT

1 MATERIAL: CONNECTOR - NYLON UL94V-2 (GREEN).
 CONTACTS - 0.30[.012] THICK COPPER ALLOY
 MATTE WHISKER MITIGATED TIN
 0.00203[.000080] MIN THICKNESS
 OVER NICKEL UNDERPLATE OR BRIGHT
 TIN-LEAD 93/7 0.00203[.000080] MIN
 THICKNESS. SEE FINISH COLUMN FOR
 PLATING TYPE.

2. CONTACTS ACCEPT 28 AWG WIRE WITH 1.52 [.060] MAX INSULATION DIAMETER.
 3. CONTACTS MUST ACCEPT 0.64±0.03 [.025±.001] SQUARE POST AND REMAIN LOCKED IN POSITION.

4 IDENTIFICATION NUMBER FOR LAST CIRCUIT MAY NOT APPEAR ON ALL ASSEMBLIES.

5. DIMENSIONS IN BRACKETS ARE IN INCHES.

6. HOUSING FEATURES ARE: CLOSED END WITH LOCKING RAMP.

7 DETAIL A SHOWS CIRCUIT NO. 4 MOLDED CLOSED.

FINISH	DIM A	NO OF CIRCUITS	PART NO
TIN	12.70 [.500]	5	3-644669-5
TIN-LEAD	12.70 [.500]	5	644669-5

METRIC

THIS DRAWING IS A CONTROLLED DOCUMENT.

DWN B. LEWIS 01 MAY 92	Tyco Electronics Corporation Harrisburg, Pa 17105-3608				
CHK R. SWING 01 MAY 92					
APVD T. WERT 01 MAY 92					
PRODUCT SPEC 108-1050					
APPLICATION SPEC 114-1019	NAME MTA 100 CONNECTOR ASSEMBLY, 28 AWG, NO.4 CIRCUIT CLOSED, SPECIAL				
MATERIAL 1	WEIGHT -	SIZE A2	CAGE CODE 00779	DRAWING NO C=644669	RESTRICTED TO -
FINISH 1	CUSTOMER DRAWING	SCALE 5:1	SHEET 1 OF 1	REV B	